

Trigger Times



Country Pond Fish & Game Club - Newton, NH

Established 1903

May 2020

www.cpfgc.com

Volume 20-05

Ongoing & Upcoming Events

(Unless otherwise indicated, all events and activities are Open to the Public)

[MAY CALENDAR](#)

**ALL ACTIVITIES & EVENTS LISTED IN THIS NEWSLETTER ARE TENTATIVE
CHECK THE CLUB WEBSITE FOR UP-TO-DATE EVENT STATUS**



All Hands Work Party
"Spring Cleaning"
CANCELLED
Saturday, 2 May, 08:00 - 16:00



.22 Steel Plate Shoot
CANCELLED
Sunday, 3 May, 09:00



Indoor Work Parties
Mondays, starting 18 May, 18:00 - 20:00



Mondays, starting 18 May,
18:00 - 20:00

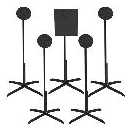
**Rifle
League**



Rockingham County
Trap League
CANCELLED
Wednesdays, 6 May - 15 July, 17:00 - 20:00



Board of Directors Meeting
Thursday, 7 May, 19:00



STEEL CHALLENGE
CANCELLED
Saturday, 9 May, 09:00



Trap Shooting
Saturdays, 13:00 & Sundays, 09:00
starting 16 May

Centerfire Pistol Plate Shoot
CANCELLED
Sunday, 10 May, 09:00



New Member Orientation
CANCELLED
Sunday, 10 May, 10:00



Centerfire Pistol "Practice Plates"
CANCELLED
(CPF&G Club Members Only)
Wednesday, 13 May, 17:00



Centerfire Pin Shoot
CANCELLED
Thursday, 14 May, 19:00



.22 Rimfire Pin Shoot
CANCELLED
Tuesday, 19 May, 19:00



Monthly Members Meeting

Thursday, 21 May, 19:00
Your attendance would be appreciated.



Centerfire Pistol "Practice Plates"
(CPF&G Club Members Only)
Wednesday, 27 May, 17:00



Centerfire Pin Shoot

Thursday, 28 May, 19:00



As an NRA affiliated club, it is important for us to support the National Rifle Association. By joining the NRA through CPF&G Club, \$5 of the annual fee, or \$10 of the 3-yr membership fee, is paid back to our club.

To join, go to <http://membership.nrahq.org/default.asp?campaignid=XC004701>
or contact Dan Williams at 978-476-9995 or dan_williams65@comcast.net



RANGE CLOSURES thru MAY

(Hours shown are ACTUAL TIMES CLOSED)

MAY
CALENDAR

OUTDOOR RANGE

- Saturday, 2 MAY **CANCELLED** 8:00 - 10:00
WORK PARTY
- Sunday, 3 MAY **CANCELLED** 8:00 - 10:00
.22 Plate Shoot
- Saturday, 9 MAY **CANCELLED** 8:00 - 10:00
Steel Challenge
- Sunday, 10 MAY **CANCELLED** 8:00 - 10:00
Centerfire Pistol Plate Shoot
- Wednesday, 13 MAY **CANCELLED** 8:30 - 10:00
Practice Plates
- Wednesday, 27 MAY 16:30 - DUSK
Practice Plates

SHOOTING ON A CLOSED RANGE IS A SERIOUS SAFETY VIOLATION

MEMBERS ARE RESPONSIBLE FOR KNOWING WHEN RANGES ARE CLOSED

TRAP RANGE

- Saturdays (starting 16 May)..... 13:00 - 15:00
- Sundays (starting 17 May)..... 09:00 - 12:00
Regular Trap (closed to other activities)
- Saturday, 2 MAY **CANCELLED** 10:00 - 16:00
WORK PARTY
- Wednesdays, 6 MAY **CANCELLED** 17:00 - 20:00
Rockingham County Trap League

INDOOR PISTOL RANGE

- Saturday, 2 MAY 07:30 - 16:00
WORK PARTY
- Mondays (starting 4 May)..... 19:00 - 20:00
Indoor Work Parties
- Sunday, 10 MAY 10:00 - 12:00
Membership Orientation
- Thursday, 14 MAY 18:30 - 22:30
Centerfire Pin Shoot
- Tuesday, 19 MAY 18:30 - 22:30
.22 Rimfire Plate Shoot
- Thursday, 21 MAY 18:00 - 21:00
Monthly Meeting
- Thursday, 28 MAY 18:30 - 22:30
Pin Shoot



AS OF 17 APRIL...

THE OUTDOOR FIREARM & ARCHERY RANGES ARE OPEN

- ◆ USE THE FACILITIES AT YOUR OWN DISCRETION. THE CLUB DOES NOT HAVE THE STAFF TO EFFECTIVELY DISINFECT
- ◆ MEMBERS MUST USE SUPPLIES PROVIDED TO WIPE DOWN THEIR SHOOTING POSITION BEFORE AND AFTER USE
- ◆ MEMBERS MUST REMAIN AT LEAST SIX (6) FEET APART AT ALL TIMES
- ◆ NO MORE THAN TEN (10) MEMBERS ON A RANGE AT ANY ONE TIME
- ◆ ABSOLUTELY NO GUESTS ALLOWED

ALL INDOOR FACILITIES, INCLUDING BATHROOMS, REMAIN CLOSED

ALL PREVIOUSLY SCHEDULED EVENTS, BOTH INDOOR & OUTDOOR, INCLUDING TRAP, REMAIN CANCELLED

CPF&G Club Firearms Sales



To order firearms through the Club's FFL, Club Members may contact **Jeff Gersbach** at jgersbach@gmail.com

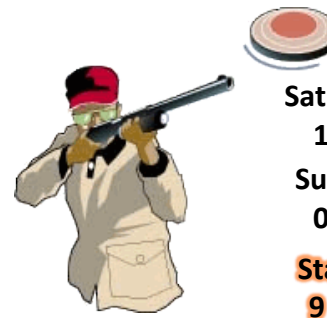
Club Members may also order firearms themselves, to be delivered to the Club, but must send an email to **Samy Singh** at samyonix@yahoo.com with the delivery date, so that he can plan to be at the club to sign for the delivery. Failure to do this will result in the package automatically being shipped back and the club will not be responsible for shipping charges.

Firearms transfers and pickups are by appointment only.
Contact **Andy Deardorff** at 603-382-3434 or a-deardorff@comcast.net

PURCHASES THROUGH THE CLUB FFL ARE LIMITED TO FIREARMS ONLY

Purchases: Cost + 5% + shipping
Firearms Transfers: **\$20**
THIS SERVICE IS FOR CLUB MEMBERS ONLY

Trap Shooting



Saturdays
13:00
Sundays
09:00
Starting
9 May

\$3.50 per round or
\$30.00 for a 10-round card

THE TRAP RANGE IS CLOSED TO OTHER ACTIVITIES DURING THESE SESSIONS

For more information, contact Ken Schulz at 603-895-3083 or papa.schulz@myfairpoint.net

The *Trigger Times* is the official newsletter of Country Pond Fish & Game Club, Inc., 82 Pond St, Newton, NH 03858, and is published monthly.

Editor: John Carr

Comments, questions, or suggestions should be submitted to: jcarr@jcarrassociates.com

“Spring Cleaning” Work Party

2 May 2020

08:00 to 16:00 Rain or Shine!



- ★Lawn Mowing
- ★Weed Whacking
- ★General Cleanup
- ★Painting/Staining
- ★Building Target Frames
- ★Filling in Holes in Berms



CANCELLED

Free Lunch!

Note: 10 hours working on Club programs this year entitles you to a 20% discount on next year’s Club dues.

ALL RANGES WILL BE CLOSED FROM 07:30 TO 16:30

For more information, contact
Jim Nishina ~ 603-793-0038 ~ inlandscapes@gmail.com



Memorial Day ~ 25 May

Proposed Changes to the Club Constitution and Bylaws

In accordance with Club Bylaw Article XII, the following proposed changes to the Club Constitution and Bylaws have been submitted to the Board of Directors for a First Reading, and subsequently to the Members at the February Monthly Meeting for a Second Reading. These changes will be voted on at the next regular Monthly Meeting, and are subject only to a “Yes” or “No” vote. No changes or amendments are allowed prior to the vote.

PROPOSED CHANGE

To change Section 3.11.a.1, which currently reads:

- 3.11 Junior Member
 In order to become a Junior Club Member, the candidate’s parent or legal guardian shall submit a request to the Club Membership Committee.
 The candidate:
 a. must be either:
 1. the child of a Club Member in good standing, or...

to read:

1. the child, **ward, or grandchild** of a Club Member in good standing, or...

To change Section 3.11.h, which currently reads:

- h. shall be supervised by parent or guardian at all times while on Club property, and...

to read:

- h. shall be supervised by parent, **grandparent**, or guardian at all times while on Club property, and...

To change Section 3.11.i, which currently reads:

- i. may participate in Club Leagues and events when accompanied by parent or legal guardian.

to read:

- i. may participate in Club Leagues and events when accompanied by parent, **grandparent**, or legal guardian.

~ May Birthdays ~

Frank Serreti.....1	Theresa LaFord 12	Dave Coates 23
Samy Singh1	John Clemons 13	Roger Nowak 23
Thomas Champy.....2	Michael Weand 13	Michael A Dryver 24
Thomas R Dawson.....2	Jim Nishina 14	Jack Howarth 24
Eugene Marston.....2	Michael Dryver 15	Carmine Scoppettuolo..... 24
Robert Ouellette.....2	Robert Hunt..... 15	Arthur Statezni..... 24
Geoffry M Plante.....3	Brian Perry 15	Michael E Contarino 25
Brian Williams3	Richard Skowronski 15	Lisa Ford 25
Kevin Winship.....3	Morris Williams 15	Debra Lesynski..... 25
Paul Stilson4	Patrick Marcoux 16	John Giordano..... 26
Robert Beal.....5	Eric Smith..... 17	Dan Karapanagiotis..... 26
Wendell Russell5	Steve Sousa..... 17	Herman Ocasio 26
Marguerite Hanson6	Daniel Goodwin 19	James Stepanian 26
Jesse Reid6	Dana Rabito 19	Scott W Suchovsky..... 26
Gregory J Taillon.....6	Kevin Rennick 19	Edward J Wallace..... 26
Bryan Doty.....7	Ian S Chamberlain 20	Allan C Buck Jr 27
Peter Eaton.....9	Renee LeBlanc 20	Steven Kiarsis 27
George Nolan9	Kenneth E Schulz 20	Robert K Marchand Jr..... 27
Arthur Redden.....9	H James Unger 20	Julie Beal 28
Thomas A Dunphy.....11	James Goodman 21	Wayne Besaw 29
Jamie Lawrence Forcino11	Michael S Gursky 22	Ryan P Call..... 30
Timothy Lovell11	David Kenep 22	Michael "Jake" Kennedy..... 30
James Ostertag.....11	Jack LaFord 22	Richard Bean..... 31
Rene Conti12	Daniel Williams..... 22	Brian Berard 31

RIMFIRE PLATES

SUNDAYS

3 MAY 7 JUN 12 JUL 2 AUG
6 SEP 11 OCT 8 NOV

**THESE MATCHES ARE
OPEN TO THE PUBLIC**

CPF&G Members: \$6.00

Non-Members: \$8.00

Juniors (under 17) always shoot FREE

Registration for the first relay: 08:00 to 08:45

Mandatory Safety Meeting: 08:50 Match: 09:00 to 13:00

Results and detailed rules and procedures are posted at <http://www.cpfgc.com/rfplates.html>

For more details, contact John Coyne at jem362@msn.com or 603-362-6014

CENTERFIRE PLATES

SUNDAYS

10 MAY 21 JUN 19 JUL 23 AUG
20 SEP 18 OCT 22 NOV 20 DEC

**THESE MATCHES ARE
OPEN TO THE PUBLIC**

CPF&G Members: \$6.00

Non-Members: \$8.00

Juniors (under 17) always shoot FREE

Registration for the first relay: 08:00 to 08:45

Mandatory Safety Meeting: 08:50 Match: 09:00 to 13:00

Results and detailed rules and procedures are posted at <http://www.cpfgc.com/rfplates.html>

For more details, contact Scott Kuckler at scottkuckler@yahoo.com or 603-490-6892

STEEL CHALLENGE

Check-in: 08:00 to 08:45

Mandatory Safety Meeting: 08:50

Match: 09:00 to 15:00

Advance Registration via [PRACTISCORE](https://www.pactiscore.com)
is REQUIRED

SATURDAYS

9 MAY 13 JUN 25 JUL 8 AUG
10 OCT 14 NOV 5 DEC

CPF&G Members: \$10.00

Non-Members: \$15.00

Juniors (under 17) always shoot FREE

THESE MATCHES ARE OPEN TO THE PUBLIC

Results and detailed rules and procedures are posted at

http://www.cpfgc.com/steel_challenge.html

For more details,

contact Rodney Brown at rodney1971@gmail.com

or Dominic Stevens at dominicstev@hotmail.com

PRACTICE PLATES

2nd & 4th Wednesdays, 27 May thru September

Steel plate shooting sessions for semi-auto pistols or revolvers

Setup: 16:30 - 17:00

Shoot from 17:00 'til dusk

THESE SHOTS ARE RESTRICTED TO CPF&G CLUB MEMBERS & INVITED GUESTS ONLY

For more details, contact Jim Lacefield at jim.lacefield@gmail.com

The 9x19mm Cartridge

HISTORY

The 9×19mm (also referred to as the 9mm Luger, 9mm NATO, or 9mm Para) cartridge was designed by Georg Luger and introduced in 1902 by the German weapons manufacturer *Deutsche Waffen und Munitionsfabriken* (DWM) for their Luger semi-automatic pistol. Under STANAG 4090, it is a standard cartridge for NATO forces as well as many non-NATO countries.

The name *Parabellum* is derived from the Latin: "*Si vis pacem, para bellum*" ("*If you seek peace, prepare for war*"), which was the motto of DWM.

According to the 2006 edition of *Cartridges of the World*, the 9×19mm is "*the world's most popular and widely used military handgun cartridge.*" In addition to being used by over 60% of police in the US, *Newsweek* credits 9×19mm pistol sales with making semi-automatic pistols more popular than revolvers. The popularity of this cartridge can be attributed to the widely held conviction that it is effective in police and self-defense use. Its low cost and wide availability contribute to the caliber's continuing popularity.

Georg Luger developed the 9×19mm cartridge from his earlier 7.65×21mm *Parabellum* round, which itself was derived from the original 7.65×25mm *Borchardt* cartridge in the *Borchardt C-93* pistol. Shortening the length of the cartridge case used in the *Borchardt* pistol allowed him to improve the design of the toggle lock and to incorporate a smaller, angled grip. Luger's work on the *Borchardt* design evolved into the Luger pistol, first patented in 1898 and chambered in 7.65×21mm *Parabellum*. Demand for larger calibers in military sidearms led to Luger to develop the 9×19mm cartridge for his new pistol. This was achieved by removing the bottleneck shape of the 7.65×21mm *Parabellum* case, resulting in a tapered rimless cartridge encasing a bullet that was 9mm in diameter.

In 1902, Luger presented the new round to the British Small Arms Committee as well as three prototype versions to the US Army for testing at Springfield Arsenal in mid-1903. The Imperial German Navy adopted the

cartridge in 1904 and in 1908 the German Army adopted it as well. The ogive of the bullet was slightly redesigned in the 1910s in order to improve feeding.

After World War I, acceptance of the 9×19mm chambering increased, and 9×19mm pistols and submachine guns were adopted by military and police users in many countries. The 9×19mm has become the most popular caliber for US law enforcement agencies, primarily due to the availability of compact pistols with large magazine capacities that use the cartridge.

Worldwide, the 9×19mm is one of the more popular pistol cartridges where it is legal (some countries ban civilian use of weapons that chamber current or former military service cartridges), and cartridges in this caliber are generally available anywhere pistol ammunition is sold.



Smith & Wesson
Model 39

From the early 1980s to the mid-1990s, there was a sharp increase in the popularity of semi-automatic pistols in the US, a trend foreshadowed by the adoption of the Smith & Wesson Model 39 by the Illinois State Police in 1968. In addition, the Beretta M9 (a military version of the Beretta Model 92) was adopted by the US Army in 1985. Previously, most American police departments issued .38 Special caliber revolvers with a six-shot capacity. The .38 Special was preferred to other weapons such as variants of the M1911 because it offered low recoil, was small and light enough to accommodate different shooters, and was relatively inexpensive. The 9mm is ballistically superior to the .38 Special revolver cartridge, is shorter overall, and being an autoloader cartridge, it is stored in flat magazines, as opposed to

cylindrical speedloaders. This, coupled with the advent of the so-called "wonder nines" led to many US police departments exchanging their revolvers for some form of 9mm semi-automatic handguns by the 1980s.

In 2014 the FBI released a report detailing the potential combat effectiveness of the 9mm cartridge when compared to other calibers such as the .45 ACP and the .40 Smith & Wesson cartridge that was specifically developed for use by the FBI. The report indicated that the new powders and more advanced bullet designs used in current 9mm defensive loads allowed for the caliber to deliver comparable performance to other calibers, like the .45 ACP and .40 S&W. In addition to this, the lower recoil, less wear, and higher capacity were all reasons that the report cited for the recent surge in orders of the ammunition from various police agencies. With a wider selection of officers being able to shoot handguns chambered in 9×19mm many departments choose this caliber so they can standardize around a single firearm and loading, making logistics and supply easier. Due to all of these factors, law enforcement orders of 9mm ammo from all major ammunition manufacturers have spiked dramatically.

CARTRIDGE DIMENSIONS

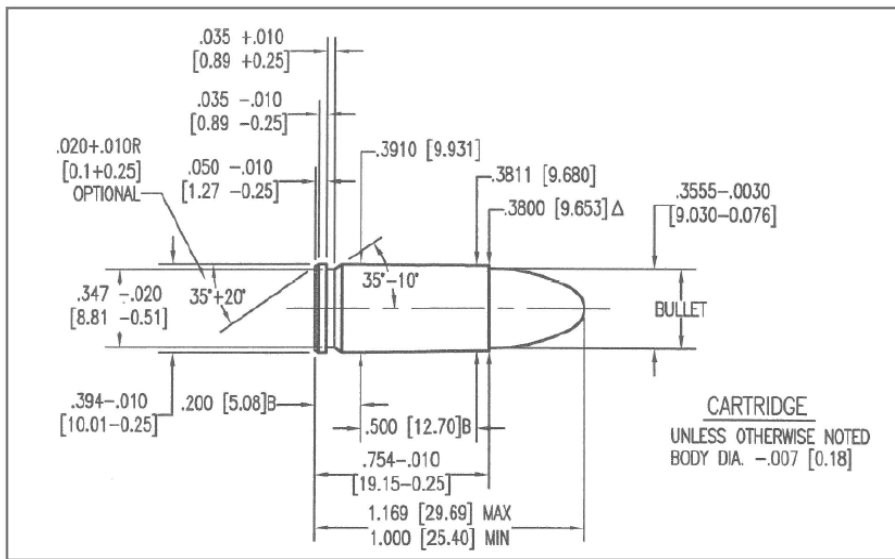
The 9×19mm has 0.86 ml (13.3 grains H₂O) cartridge case capacity.

The cartridge headspaces on the mouth of the case. The common rifling twist rate for this cartridge is 250mm (1 in 9.84 in), 6 grooves, ϕ lands = 8.82 mm, ϕ grooves = 9.02mm, land width = 2.49mm and the primer type is small pistol.

According to the official C.I.P. (Commission Internationale Permanente pour l'Epreuve des Armes à Feu Portatives) rulings the 9×19mm cartridge case can handle up to 235.00 MPa (34,084 psi) Pmax piezo pressure. In C.I.P. regulated countries every pistol cartridge combo has to be proofed at 130% of this maximum C.I.P. pressure to certify for sale to consumers. This means that 9×19mm chambered arms in C.I.P. regulated

(Continued on page 7)

The 9x19mm Cartridge



(Continued from page 6)

countries are currently (2014) proof tested at 305.50 MPa (44,309 psi) PE piezo pressure.

The SAAMI pressure limit for the 9x19mm is set at 241.32 MPa (35,001 psi) piezo pressure.

The SAAMI pressure limit for the 9x19mm +P is set at 265.45 MPa (38,500 psi) piezo pressure.

An empty case with primer weighs approximately 4 g (0.14 oz).

PERFORMANCE

The round was originally designed to be lethal to 50 meters, but the bullet travels and is lethal at longer ranges. The 9x19mm cartridge combines a flat trajectory with moderate recoil. According to the 1986 book *Handloading: the modern science of wound ballistics* has established beyond reasonable doubt that the 9x19mm cartridge is highly effective."

IMPROVEMENTS AND VARIATIONS

In addition to the traditional pressure values for this cartridge, there are two main variants that offer different pressure standards than the SAAMI or C.I.P. requirements.

Commonwealth Standard

The Cartridge S.A. Ball 9mm Mark Iz (9mm BALL MK Iz) was the standard Imperial 9mm Parabellum round in World War II and was produced from December 1941 to 1944. It was meant

for use in semi-auto pistols like the Inglis Browning Hi-Power. Bullet weight was 115 grains [7.45 grams]. Velocity was 1,200 feet/second [365 meters/second] at 20 yards [18.28 meters]. It is noted by its purple annulus around a standard gold-colored primer.

The higher-powered Cartridge S.A. Ball 9mm Mark Iiz (9mm Ball MK 2z) was in production from September 1943 to 1988 and was graded as NATO standard in 1962. It was designed for use in submachineguns like the Lanchester, Sten, and Sterling. Bullet weight is 115 grains [7.45 grams] over a charge of 6 grains [0.388 grams] of Du Pont SR-4898 or Dynamit-Nobel Parabellum Powder. Velocity is 1,300 feet/second [396 meters/second] at 20 yards [18.28 meters]. It can be distinguished from the 9mm Ball MK Iz by its purple annulus around a silver primer.

India and Pakistan manufactured 9x19mm Parabellum ammunition to this standard after independence.

Canadian Standard

Canada's Cartridge S.A. Ball 9mm CDN Mark I (9mm Ball CDN MK I), made from 1955 to present, has similar ballistics. Bullet weight is 115 grains [7.45 grams]. Nominal Muzzle Velocity is 1,246.7 feet/second [380 meters/second].

NATO Standard

The 9x19mm cartridge has been manufactured by, or for, more than 70

different countries and has become a standard pistol caliber for NATO and other military forces around the world. Its official nomenclature among NATO members is "9mm NATO". Standard bullet weight is 124 grains [8.03 grams].

The 9mm NATO can be considered as an overpressure variant of the 9x19mm that is defined by NATO standards. The service pressure P_{max} of the 9mm NATO is rated at 252 MPa (36,500 psi) where C.I.P. rates the 9mm Luger P_{Tmax} somewhat lower at 235 MPa (34,100 psi). The 315 MPa (45,700 psi) proofing test pressure used in the 9mm NATO proof test however equals the proofing test pressure used in the 9mm Luger C.I.P. proof test.

While the NATO standards do not specify the type of bullet to be used, Declaration III of the Hague Convention of 1899 prohibits the use of expanding ammunition in warfare by signatories, and therefore official 9mm NATO ammunition is FMJ "ball" bullets. It should be noted that Declaration III does not apply in conflicts involving non-signatories to the Hague Convention, including paramilitary and other non-governmental fighting forces.

Swedish Standard

The 9mm Parabellum entered Swedish service as m/39 with the import of the Kulsprutepistol m/39 from Austria, with a bullet weight of 7.5 gram (115 grain). During the Congo Crisis, the Swedish UN-contingent issued complaints about the performance of the m/39 cartridge (regular 9mm Parabellum) used, which resulted in a commission of the Swedish Army establishing in 1962 that a new round was needed for the Carl Gustav m/45. The resulting m/39B had a tombac-plated steel jacket surrounding the lead core. While the lands of the barrel can cut into the tombac, the steel jacket resists deformation and thus causes the gas pressure to rise higher than the previous soft-jacketed m/39, giving the 6.8 gram (106 grain) bullet a V_0 of 420 m/s (1,378 ft/s) and an impact energy of 600 joules. The mantle also acts like a penetrator when striking a target, going through up to 50 layers of kevlar, 7 cm bricks or 25 cm of wood, allowing the bullet

(Continued on page 8)

The 9x19mm Cartridge

(Continued from page 7)

to defeat body armour up to Type IIIA. The downside is the higher wear on the weapon, ultimately causing the service pistol m/40 to be withdrawn from service. The m/39 is also available as a "gallery round" – kammarpatron m/39 – black with blue tip, for indoor gallery shooting, and as a blank round – lös patron m/39 – which has the metal bullet replaced with one in red, hard plastic intended to disintegrate into dust when fired.

9x19mm +P Variant

Attempts to improve ballistics of the cartridge came in the early 1990s with the widespread availability of high-pressure loadings of the 9x19mm cartridge. Such overpressure cartridges are labeled "+P" or in the case of very high pressure loadings "+P+". Ballistic performance of these rounds was moderately improved over the standard loadings. In addition, improvements in jacketed hollow-point bullet technology have produced bullet designs that are more likely to expand and less likely to fragment than earlier iterations, giving a 9mm bullet better terminal effectiveness.

Russian Military Overpressure Variants

The Russian military has developed specialized 9x19mm cartridges that utilize relatively light bullets at high muzzle velocities for both pistols and submachine guns to defeat body armour. Besides enhanced penetration capabilities, these overpressure variants offer a flatter trajectory and lessened recoil. The increase in service pressure causes a rise in bolt thrust, so the use of this overpressure ammunition induces more stress on critical weapon parts during firing. After initial research, conducted since the late 1980s under the codename "Grach", the Russian armed forces adopted two specialized 9x19mm variants.

The 7N21 (Cyrillic: 7H21) 9x19mm overpressure variant features an armour-piercing bullet and generates a peak pressure of 280 MPa (41,000 psi). The 7N21 bullet features a hardened (sub-caliber) steel penetrator core, enclosed by a bimetal jacket. The space between the core and jacket is filled with polyethylene, and the tip of the

penetrator is exposed at the front of the bullet, to achieve better penetration. The penetration range for body armor is specified at up to 40 meters. The MP-443 Grach and GSh-18 pistols and PP-19-01, PP-90M1 and PP-2000 submachine guns were designed for usage with this overpressure cartridge. Jane's Infantry Weapons stated in 2003 that the 7N21 cartridge combines the 9x19mm dimensions with a 9x21mm Gyrza bullet design and was developed specifically for the penetration of body armor and for the MP-443 Grach pistol, the latest Russian service pistol.

The 7N31 (Cyrillic: 7H31) / PBP 9x19mm overpressure variant uses the same concept with a similar but lighter bullet that achieves higher muzzle velocity. The penetration of an 8 mm thick steel plate is specified at up to 10 meters. The 7N31 cartridge was developed in the late 1990s for the GSh-18 pistol. The 7N31 was adopted for the PP-90M1 and PP-2000 submachine guns. Its maximum service pressure remains unclear.

The method of construction of the two rounds allows them to be effective against both unarmored and armored targets. If the bullet strikes an unarmored target, it holds together to produce a wide wound channel. If the bullet strikes an armored target, the sleeve is stripped away and the core penetrates alone. The disadvantage of the rounds is that high impact velocities are needed for them to work effectively, so the bullets are relatively light to maximize their muzzle velocity. This means they will lose velocity relatively quickly, limiting their effective range.

9mm Major

"9mm major" is a term common among handloaders in IPSC and USPSA competitions in the open division. It describes a 9x19mm loaded to reach or surpass the "major" power factor in those competitions, something that very few commercial self-defense loads do. Such loads are only rarely within the limits defined by SAAMI or CIP, exceeding even +P loads. 124gr projectiles are pushed beyond 1,331 feet per second to meet USPSA power factor. Usually, they are loaded with relatively large charges of a low volume slow-burning powder such as HS-6 or Autocomp. Sometimes they are made longer than standard OAL to allow more capacity with heavier bullets. Since they can be used with common 9x19 brass, they are considered a more economical alternative to the .38 Super.

US DATA

The energy delivered by most 9mm loads allows for significant expansion and penetration with premium JHP bullets. Illinois State Police, Border Patrol, Federal Air Marshals, and United States Secret Service favored and used 7.5 g (115 gr) +P+ 9mm loads at 400 m/s (1,300 ft/s) for years with excellent results. Massad Ayoob has stated that the "Tried, Tested, and True" 7.5 g (115 gr) +P or +P+ is the best self-defense load in this caliber. Proponents of the hydrostatic shock theory contend that the energy of the 9mm cartridge is capable of imparting remote wounding effects known as hydrostatic shock, in human-sized living targets.



.45 ACP

10mm

.40 S&W

.38 Super

9mm

.38 Special



PIN SHOOTS



Registration: 18:30 - 18:55
Safety Meeting at 18:55
Shooting starts at 19:00

ANYONE ARRIVING AFTER THE SAFETY MEETING HAS
STARTED WILL NOT BE ALLOWED TO SHOOT



Cost for the whole evening:
Club Members: \$6.00
Nonmembers: \$8.00

THESE SHOOTS ARE OPEN TO THE PUBLIC

CENTERFIRE

THURSDAYS, 19:00

23 APR	14 MAY	28 MAY
11 JUN	25 JUN	9 JUL
23 JUL	13 AUG	27 AUG
10 SEP	24 SEP	8 OCT
22 OCT	12 NOV	10 DEC

.22 RIMFIRE

TUESDAYS, 19:00



19 MAY	2 JUN	16 JUN
14 JUL	28 JUL	18 AUG
1 SEP	15 SEP	29 SEP
13 OCT	27 OCT	17 NOV
1 DEC	15 DEC	29 DEC

For more Centerfire Shoot information
Brian Whitney ~ 978-346-4311 ~ bc_whitney@msn.com
Kurt Ringleben ~ 603-347-1593 ~ kringleben@gmail.com

For more Rimfire Shoot information
George Aboshar ~ 603-401-4414 ~ mmagpa@comcast.net

Got ammo ?



Gun Rights Organizations

"A well regulated militia, being necessary to the security of a free state, the right of the people to keep and bear arms, shall not be infringed."

- United States Constitution - Amendment II - ratified 1791

- American Sheepdog.....<http://americansheepdog.com/Forum/>
- Citizens Committee for the Right to Keep and Bear Arms.....<http://www.ccrkba.org/>
- Gun Owner's Action League (MA).....<http://www.goal.org/>
- Gun Owners of America.....<http://www.gunowners.org/>
- Gun Owners of New Hampshire.....<http://www.gonh.org/>
- Jews for the Preservation of Firearms Ownership.....<http://www.jpfo.org/>
- Maine Gun Owners Assoc.....<http://www.mgoa.com/>
- National Association for Gun Rights.....<http://www.nationalgunrights.org/>
- National Rifle Association.....<http://home.nra.org/>
- National Shooting Sports Foundation.....<http://www.nssf.org/>
- New Hampshire Firearms Coalition.....<http://www.nhfc-ontarget.org/>
- Pink Pistols.....<http://www.pinkpistols.org/>
- Second Amendment Foundation.....<http://www.saf.org/>
- USA Carry.....<http://www.usacarry.com/>
- Women Against Gun Control.....<http://www.wagc.com/>

Who ya gonna call? CPF&G Club Contacts

Revised: 13 April 2020

Hall and Indoor Range 603-382-0062
 Answering Machine 603-382-5681

Website..... www.cpfgc.com
 Webmaster..... jcarr@jcarrassociates.com

Executive Board

Paul Gilberti - President..... 603-426-2025 pgis@comcast.net
 Tim Steele - VP 603-966-7468 timothy.f.steele@gmail.com
 John Coyne - Secretary 603-362-6014 jem362@msn.com
 Jim Nishina - Treasurer 603-793-0038 jnlandscapes@gmail.com

Directors

#1 - Rodney Brown 603-819-9511 rodney1971@gmail.com
 #2 - Dan Williams 978-476-9995 dan_williams65@comcast.net
 #3 - Richard Tuite 603-793-9003 marksman1953@yahoo.com
 #4 - Juan Orlanzzini 401-479-9219 jovanorlazzini@hotmail.com
 #5 - Jim Lacefield 978-228-8551 jim.lacefield@gmail.com

Security Officer

Andrew Deardorff 603-382-3434 a-deardorff@comcast.net

Range Officers

John Carr (Chief RO) 603-244-9843 jcarr@jcarrassociates.com

There are 40 Club Range Officers. See the Club website, at
<http://www.cpfgc.com/contacts.html#RO> for the full list.

Ammo & Components Order (Annually in October)

Jim Graczyk 603-362-4829 jamesfgraczyk@gmail.com

Archery League

Steve Chase 603-475-2594 browndogsoftware@aol.com
 Richard Tuite 603-793-9003 marksman1953@yahoo.com

Chili Cookoff

Alan Carrier 978-430-3980 tweedbrothers@comcast.net

CMP (Civilian Marksmanship Program)

Geoff Plante 978-835-2230 gmlante@gmx.com

Facilities Manager (Land & Buildings)

Richard Tuite 603-793-9003 marksman1953@yahoo.com

FFL Transfers & Information (No Firearm Orders)

Andrew Deardorff 603-382-3434 a-deardorff@comcast.net

Firearms Orders (CPF&G Club Members Only)

Jeff Gersbach (No phone orders - email only) jgersbach@gmail.com

Firearms Instruction & Training Programs

Paul Gilberti 603-426-2025 pgis@comcast.net

Hall Rentals

Richard Tuite 603-793-9003 marksman1953@yahoo.com

Hunter Education

Paul Gilberti 603-426-2025 pgis@comcast.net

Ice Fishing Derby

Jim Nishina 603-793-0038 jnlandscapes@gmail.com

Kitchen

Sharon Theobald 978-374-8061 shootinlady655@aol.com

Lost & Found

Andrew Gaunt 603-770-7482 fishfryah@gmail.com

Membership

Tim Steele 603-966-7468 timothy.f.steele@gmail.com

Metals Recycling

Nanci Nickerson 603-382-0083 nnickerson@metrigraphicsllc.com

Newsletter Editor

John Carr 603-244-9843 jcarr@jcarrassociates.com

NRA Recruiting Program

Dan Williams 978-476-9995 dan_williams65@comcast.net

Open House (National Hunting & Fishing Day)

Rodney Brown 603-819-9511 rodney1971@gmail.com

Centerfire Pin Shoots

Brian Whitney 978-346-4311 bc_whitney@msn.com
 Kurt Ringleben 603-347-1593 kringleben@gmail.com

.22 Rimfire Pin Shoots

George Aboshar 603-401-4414 mmagpa@comcast.net

.22 Rimfire Pistol League

Jim Rogers 978-912-4847 jimshortcircuit@yahoo.com

Centerfire Pistol League

Jim Graczyk 603-362-4829 jamesfgraczyk@gmail.com

Rifle League

Ron MacLeod 603-382-6671 gandgcobra@aol.com

Spaghetti Dinners

Karyn Williams 978-476-9998 karynmwilliams@yahoo.com

Steel Challenge

Rodney Brown 603-819-9511 rodney1971@gmail.com
 Dominic Stevens 978-235-4932 dominicstev@hotmail.com

Steel Plate Shoots

John Coyne 603-362-6014 jem362@msn.com
 Scott Kuckler 603-490-6892 scottkuckler@yahoo.com
 Jim Lacefield 978-228-8551 jim.lacefield@gmail.com

3-Gun Action Shooting

John Carr 603-244-9843 jcarr@jcarrassociates.com
 John Coyne 603-362-6014 jem362@msn.com

Trap

Ken Schulz 603-895-3083 papa.schulz@myfairpoint.net

Trap Tournaments & Leagues

Ron Sevigny 603-474-1168 ron7e@comcast.net

Turkey Shoot

John Coyne 603-362-6014 jem362@msn.com

Monday Night Work Parties

Ron MacLeod 603-382-6671 gandgcobra@aol.com

Saturday Work Parties

Jim Nishina 603-793-0038 jnlandscapes@gmail.com



Stay in touch with your Employees (that's right... they work for YOU.)

<http://www.congress.org/> has links to the White House,
 the US Senate, the US House of Representatives,
 and all of your state government representatives.
 Let them know how you feel about things.