

Trigger Times



Country Pond Fish & Game Club - Newton, NH

Established 1903

July 2013

www.countrypondfishandgameclub.com

Volume 13-07

Upcoming & Ongoing Events

New Member Orientation 10:00 2nd Sunday of each month



Trap Shooting

Tuesdays: 18:00 - 20:00 (May thru September)
Saturdays: 13:00 - 15:00
Sundays: 09:00 - 12:00



Rifle League

Mondays, 18:00



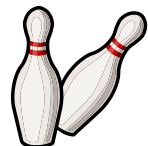
Indoor .22 Rimfire Pin Shoot

Tuesday, 25 June, 19:00



Rockingham County Trap League

Wednesday, 26 June, 17:30



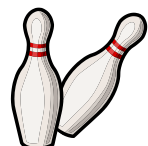
Indoor Centerfire Pin Shoot

Thursday, 27 June, 19:00



Rockingham County Trap League Banquet

Wednesday, 10 July, 17:00



Indoor Centerfire Pin Shoot

Thursday, 11 July, 19:00



Outdoor Pin Shoot

Saturday, 13 July, 09:00



Indoor .22 Rimfire Pin Shoot

Tuesday, 16 July, 19:00

General Club Meeting

Thursday, 18 July, 19:00
Your attendance would be appreciated.



.22 Steel Plate Shoot

Sunday, 21 July, 12:00



NRA Basic Rifle Shooting Course

Saturday, 27 July, 08:00 - 16:30+



CMP AR-15 SHOOT

Sunday, 28 July, 12:30



Indoor .22 Rimfire Pin Shoot

Tuesday, 30 July, 19:00



Board of Directors Meeting

Thursday, 1 August, 19:00
(Email Piney if you'd like to have something placed on the agenda)



Indoor .22 Rimfire Pin Shoot

Tuesday, 6 August, 19:00



Indoor Centerfire Pin Shoot

Thursday, 8 August, 19:30



Bowhunter Education

Friday, 9 August, 17:00 - 21:00
Sunday, 18 August, 08:00 - 17:00

THIS CLASS IS FULL



The *Trigger Times* is the official newsletter of Country Pond Fish & Game Club, Inc., 82 Pond St, Newton, NH 03858, and is published monthly. Editor: Piney Woods Comments, questions, and suggestions should be submitted to: piney@pineywoodsplace.com



New Members

Two new members were accepted as Members into Country Pond Fish & Game Club this month.

MEMBER	SPONSOR
Jerrald Haywood	Daniel Ballock
Daniel Pardi	Dan Nercessionian

We're looking forward to getting to know each of you on the ranges and at our Club activities and events.

DISCOUNT BULLETS

Country Pond Members - 5% discount on lead bullets at Missouri Bullet Company. Go to "Members Only" on the Club Website.



CPF&G Club FFL Fees & Rules

THIS SERVICE IS FOR CLUB MEMBERS ONLY

All purchases: Cost + shipping + 3%
All Transfers: \$10

PURCHASES THROUGH THE CLUB FFL ARE LIMITED TO **FIREARMS ONLY**

Club Members may contact Jeff Gersbach at jgersbach@gmail.com to order firearms or to complete firearms transfers by appointment.

Club Members may also order guns themselves, to be delivered to the Club, but must have the sender include a copy of the Club's Firearms Order Form. This form is available on the "Members Only" page of the Club website and at the Club. If this form is not included, the firearm will be returned to the sender, and return shipping plus a \$10.00 service charge will be assessed to the Member.

There will be an additional \$20.00 charge for items shipped to the Club via FEDEX. Choose UPS or the US Postal Service instead.



RANGE CLOSURES

thru July

(Hours shown are ACTUAL TIMES CLOSED)

OUTDOOR RANGE

Every Sunday 10:00 - 12:00
Trap and Membership Tours

Saturday, 13 JUL 09:00 - 13:00
Outdoor Pin Shoot

Sunday, 21 JUL 10:00 - 16:00
22 Plate Shoot

TRAP RANGE

Tuesdays 18:00 - 20:00

Saturdays 13:00 - 15:00

Sundays 10:00 - 12:00
Regular Trap (closed to other activities)

Wednesday, 26 JUN 16:30 - 20:30
Rockingham County Trap League

INDOOR PISTOL RANGE

Tuesday, 25 JUN 18:30 - 23:00
22 Rimfire Pin Shoot

Thursday, 27 JUN 18:30 - 23:00
Centerfire Pin Shoot

Tuesday, 2 JUL 17:30 - 21:30
Boy Scouts 22 Shoot

Wednesday, 10 JUL 16:30 - 21:30
Rockingham County Trap Banquet

Thursday, 11 JUL 18:30 - 23:00
Centerfire Pin Shoot

Tuesday, 16 JUL 18:30 - 23:00
22 Rimfire Pin Shoot

Thursday, 18 JUL 18:00 - 21:00
Monthly Meeting

Saturday, 27 JUL 07:30 - 17:30
Basic Rifle Training Class

Tuesday, 30 JUL 18:30 - 23:00
22 Rimfire Pin Shoot

RANGE CLOSURES ARE ALSO POSTED NEXT TO THE RANGE SIGN-IN BOOK

SHOOTING ON A CLOSED RANGE IS A SERIOUS SAFETY VIOLATION
MEMBERS ARE RESPONSIBLE FOR KNOWING WHEN RANGES ARE CLOSED

CPF&G Club Bylaw Changes

At the monthly Members meeting held on 20 June, the following changes to Bylaws 3.1, 3.2, 3.7, and 3.8 were passed.

Section 3.1-C was changed to read:
Any married couple, applying for Club Membership at the same time, need only a single sponsor.

Section 3.2 was changed to read:
3.2 There will be five classes of membership:

- a. Regular b. Military c. Honorary
- d. Permanent e. Life

Section 3.7 was deleted

Section 3.8 was renumbered to 3.7

Section 3.8 was added and reads:

3.8 Married Couple Discount

A married couple may apply for two individual Regular Memberships, either at the same or different times, subject to Sections 3.1 and 3.3 above. The second Membership dues shall be discounted 50%.



As an NRA affiliated club, it is important for us to support the National Rifle Association. By joining the NRA through CPF&G Club, \$5 of the annual \$35 fee (\$10 of the \$85 3-yr membership) is paid back to our club. To join, go to <http://membership.nrahq.org/default.asp?campaignid=XC004701> or contact Sharon Theobald at shootinlady655@aol.com or 978-374-8061, or contact any member of the Board of Directors.

Indoor Pistol Range Backstop Reconstruction Project

May 28th marked the beginning of the new Indoor Pistol Range Backstop Project. Phase I was building the base structure, which took several days, and Phase II, slated for June 1st, involved hauling the rubber media into the range and getting it all installed. That day dawned hot and muggy, but quite a few Club Members showed up to lend a hand getting the job done. With all the help on hand, the task was completed in less than five hours.

The splatter board previously located at the base of the backstop is gone, so the new target rules are: Use only the Club provided hangers - black hangers from 25' to 50' and red hangers at shorter ranges - and use only paper targets no larger than 21" by 21".

You're welcome to check out the new backstop when it's safe to do so, but under no circumstances should anyone walk on it. KEEP OFF is the rule.

Caliber restrictions have been changed. Under the new rule, any rimfire ammo, including, but not limited to, .22WMR, .17 HM2, and .17HMR, is allowed, but **only when fired from a handgun.**

Rifles and carbines are still limited to .22 Short, Long, or Long Rifle only.

If you use the Indoor Pistol Range at all, these are the people you can thank for making it possible.

- | | |
|------------------|-----------------|
| Richard Ackles | Bob Addison |
| Rick Brooks | John Carr |
| Russell Chisholm | John Clemons |
| Paul Comeau | Tom Cronin |
| Jim Crozier | John Cull |
| Andy Deardorff | John DeYoung |
| Bill Doherty | John Faro |
| Andrew Gaunt | Bert Holmberg |
| Steve Kolacz | Paul Kolojeski |
| Steve Lagasse | Ron MacLeod |
| Wendy Menard | Tom Moran |
| Walt Morrill | Donna Newcomb |
| Nanci Nickerson | Rick Noonan |
| Gerry Nowlan | Kurt Ringleben |
| Jim Rogers | Jeremy Ruelas |
| Paul Szot | Steve Szot |
| Jeff Theobald | Sharon Theobald |
| Dick Tuite | Jim Yurik |



(More photos can be found on the Club website, at www.countrypondfishandgameclub.com/pics_work.html)

Gun Rights Organizations

"A well regulated militia, being necessary to the security of a free state, the right of the people to keep and bear arms, shall not be infringed."

- United States Constitution - Amendment II - ratified 1791

- American Sheepdog..... <http://americansheepdog.com/Forum/>
- Citizens Committee for the Right to Keep and Bear Arms <http://www.ccrkba.org/>
- Gun Owner's Action League (MA) <http://www.goal.org/>
- Gun Owners of America..... <http://www.gunowners.org/>
- Gun Owners of New Hampshire <http://www.gonh.org/>
- Jews for the Preservation of Firearms Ownership..... <http://www.jpfo.org/>
- Maine Gun Owners Assoc <http://www.mgoa.com/>
- National Rifle Association..... <http://home.nra.org/#/home>
- National Shooting Sports Foundation..... <http://www.nssf.org/>
- Pink Pistols..... <http://www.pinkpistols.org/>
- Second Amendment Foundation <http://www.saf.org/>
- Second Amendment Sisters..... <http://www.2asisters.org/>
- USA Carry <http://www.usacarry.com/>
- Women Against Gun Control..... <http://www.wagc.com/>

Stay in touch with your Employees *(that's right... they work for YOU.)*

<http://www.congress.org/> has links to the White House, the US Senate, the US House of Representatives, and all of your state government representatives.

Let them know how you feel about things.



NRA Basic Rifle Shooting Course

27 July 2013



Country Pond F&G Club 82 Pond St, Newton, NH

Seats for qualified applicants will be confirmed on a first come, first served basis, determined by when your application is received.

STUDENTS MUST REGISTER IN ADVANCE

A course application is available online at

http://www.countrypondfishandgameclub.com/DOCS/basic_rifle_app.pdf

The cost of this course is **\$100 for CPF&G Club Members**, and **\$125 for non-members**.

All required course materials will be provided.

STUDENTS MAY NOT BRING ANY FIREARMS OR AMMUNITION TO CLASS

Any student under 18 must be accompanied by a parent or guardian throughout the class.
The parent or guardian may register and take the course as well, but this is not required.

THIS CLASS IS OPEN TO THE PUBLIC BUT IS LIMITED TO TEN STUDENTS

For more information, contact
Paul Gilberti - 603-426-2025 - pgis@comcast.net

Cowboy Action Shooting

2013 Matches

12 May
9 June
25 August
27 October

**THESE
MATCHES
ARE
OPEN TO
THE PUBLIC**



CPF&G Members
\$5.00
Juniors
(under 17)
shoot **FREE**
Everyone else
\$10.00

A real fun time shooting with great people!

Registration: 10:30 - 11:45
Shooting starts at High Noon

For more details, go to

<http://www.countrypondfishandgameclub.com/cas.html>

or contact:

Piney Woods 603-659-2096 piney@pineywoodsplace.com
Wild Bill Blackerby 603-895-9554 nhwildbill@comcast.net

Trap



Tuesdays
18:00 - 20:00
Saturdays
13:00 - 15:00
Sundays
09:00 - 12:00

THE TRAP RANGE IS CLOSED TO OTHER
ACTIVITIES DURING THESE SESSIONS

\$3.50 per round or
\$30.00 for a 10-round card

THESE SESSIONS ARE OPEN TO THE PUBLIC

For more information, contact
Ken Schultz 603-895-3083
papa.schulz@myfairpoint.net

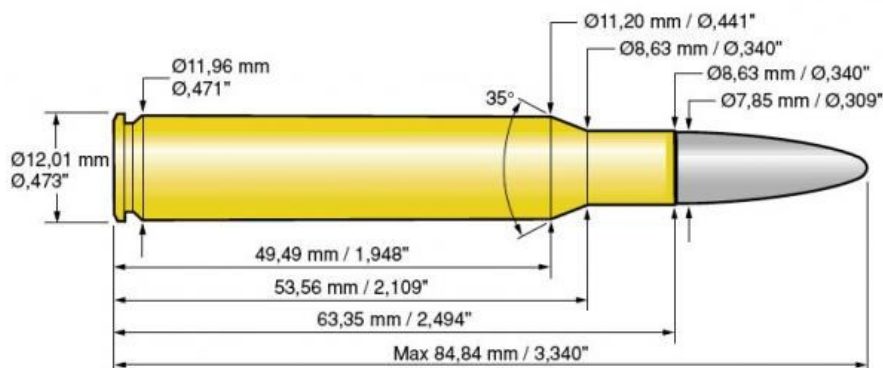
History and Development of the US .30.06 Service Cartridge

With the adoption of the M1903 rifle, a new cartridge was also adopted. The cartridge designed for the rifle featured a rimless bottlenecked case, and a round nosed 220 grain bullet, advertised at 2,300 feet per second muzzle velocity.

In 1906, the United States adopted a lighter spitzer bullet of 150 grains and a muzzle velocity of 2,700 feet per second. The maximum range for the new cartridge, now designated the M1906, was found to be between 3,300 and 3,400 yards, with the muzzle of the rifle at an angle between 29 and 45 degrees.

In 1917, the United States declared war on Germany and entered World War I. At the outset of the war, the United States had virtually no machine guns, so troops in France were armed with British Vickers guns, and with French Hotchkiss guns. The Vickers gun fired the .303 Mk VII round, a 174 grain flat based bullet, and the Hotchkiss used the 198 grain Balle D spitzer boattailed bullet. It didn't take long for the US machine gun crews to realize that these rounds had extreme ranges nearly fifty percent greater than the M1906. When the US troops were finally issued American Browning machine guns, they were appalled to learn that they could no longer lay machine gun barrages at the same long range as before.

This failing of the M1906 cartridge led to a search for a new service bullet in the period immediately following the war. During the development process, US Army Ordnance personnel tested the contemporary Swiss service bullet used in the Swiss Army's Schmidt-Rubin M1911 and M1896/11 rifles. This bullet was a 174 grain boattailed design of the same diameter of the M1906 loading: .308". The tests revealed that



the Swiss bullet was immensely superior to the M1906 with respect to long range performance.

As a result of the tests, a 174 grain bullet with a 9 degree boat tail taper and an ogive of 7 calibers in radius was adopted as the .30 caliber M1 in 1925. Muzzle velocity of rounds loaded with the M1 bullet was 2,640 feet per second, giving an extreme range of 5,500 yards.

In 1925, when the new M1 round was standardized, there were two billion .30-06 rounds in store. The Army's policy at the time was to use the oldest ammunition first, keeping the newest supply for war reserve. These two billion rounds were finally expended in 1936, and only then was the M1 ammunition issued in bulk for training. Upon the issuance of the M1 ammunition, there was an alarming realization - the M1 ammunition had so much more range and momentum than the M1906 ammunition that it began to shoot beyond the impact zones of existing ranges! The National Guard Bureau (NGB) then asked the War Department to make up a batch of ten million rounds with the same characteristics as the old M1906 round.

The "new" short range ammunition was virtually a clone of the M1906 round. It

used a 150 grain flat based bullet, but the ogive was shaped like that of the M1. By the late 1930's, this "new" ammunition had reached the service evaluation boards (by now minus all the old World War One machine gunners who had so keenly felt the lack of range in the original M1906 round). The new round had lower recoil than the M1, and more rounds could be carried for a given weight of ammunition, so in 1940, the new round (with a bullet weight of 152 grains owing to a slightly different lead alloy) was standardized as the Cartridge, Ball, Caliber .30, M2. The M2 cartridge boasted a muzzle velocity of 2,805 feet per second. The armor piercing analog to the M2, the Cartridge, Armor Piercing, Caliber .30, M2 fires a 168 grain bullet at 2,775 feet per second muzzle velocity.

The story did not end there, however. The 1936 - 1940 period, when the M2 cartridge was being standardized, was the same time frame that the M1 Garand rifle was coming into service. The change in service ammunition led to unfounded and false accusations that the new rifle couldn't handle the M1 ammunition. This was, of course, totally false, the reasons for the change having to do with size of the then existing training ranges.

Comparison Table of US .30-06 Loads

Type	Bullet Weight	Muzzle Velocity	Velocity @ 53 ft.	Velocity @ 78 ft.	Muzzle Energy
M1906	150 grains	2,700 fps	2,655 fps	2,640 fps	2,429 foot pounds
M1	174 grains	2,647 fps	2,620 fps	2,600 fps	2,675 foot pounds
M2, Ball	152 grains	2,805 fps	2,755 fps	2,740 fps	2,656 foot pounds
M2, Armor Piercing	168 grains	2,775 fps	2,730 fps	2,715 fps	2,780 foot pounds



Politics & Legislation

by John Faro, Political Junkie



Summer is the time for sun and fun. You also have to keep in mind our politicians are still around thinking up new ways to protect us from ourselves. More often than not we need protection from our politicians.

As I researched and wrote this article, the US Senate narrowly passed a measure that will stop the United States from entering into the United Nations Arms Trade Treaty. The statement of purpose from the bill read: "To uphold Second Amendment rights and prevent the United States from entering into the United Nations Arms Trade Treaty." The sad part of this situation is that it passed by a vote of 53 to 46. In plain English we had 46 Senators who voted to comply with this UN attack on our Constitutional rights. The treaty will go to President Obama which he will sign and then it will go to the Senate for ratification. For the record the 46 Senators who are willing to hand over control of our country to a foreign organization are all Democrats.

We have all witnessed over the years what a great job the UN has done

around the world. Do we really want this organization of pygmies dictating to us how to live our lives and what rights we can or cannot exercise under our Constitution? I think not. At least I hope not.

On the local front in the Granite State our state Senate killed a bill that would have granted immunity to gun owners whose weapons are stolen and then used in a crime. House Bill 388 passed the House on a 211-151 vote after a committee recommendation to kill the bill was overturned on 192-167 vote.

The Senate Judiciary Committee said the bill would have been more restrictive than current case law rather than protect gun owners. (Union Leader 5-31-2013 page A3)

There was a "No More Names" rally in front of the New Hampshire statehouse on 18 June 2013. This is a paid group touring the New England area sponsored by Mayor Bloomberg of New York City fame. They travel in a bus paid for by Bloomberg's Mayors Against Gun Violence. These folks have been standing in front of town halls,

statehouses and where ever they can get a permit to conduct their activities and reading the names of six thousand plus shooting victims since the Boston Marathon bombing. Our state organization, Gun Owners of N.H., plus other pro-firearms groups, were there to counter their rally. I have called into question the list of names they use since the inception of this politically motivated group. Seems we cannot obtain a copy of this list. As reported by WMUR television on 19 June 2013, one of the names spoken by these outstanding citizens was one of the Boston Marathon bombers. The group apologized for the "mistake". Some of the names listed were "name unknown" shot on such and such date. The validity of this list has been questioned by many and we have not been able to verify the circumstances of some of these shootings. This is a prime example of what the anti-gun groups are willing to do to further their misguided cause.

A citizen pro-gun activist had a confrontation with one of the anti-gun activist and was approached by a Bloomberg paid security man. They had words and the next thing I saw were several Concord police cruisers, lights and sirens screaming, approaching the statehouse. Three policemen surrounded this individual and he tried to explain his side of the story. The officers attempted to handcuff this individual and he made the mistake of resisting. Final outcome was six policemen were in this individuals face and they Tasered him into submission and handcuffed him. Last I saw of him was in a cruiser.

Unfortunately this guy played right into their hands and they received more press coverage than they hoped for. We want all the gun owners in our state to participate in protecting our firearms rights. You have to be careful and smart. We are up against professionals that know how to get media attention.



CMP MATCHES

(CIVILIAN MARKSMANSHIP PROGRAM)

Saturday Matches start at 09:30

Sunday Matches start at 12:30

Setup starts 1/2 hour earlier

\$10.00 Entry Fee

Ammo Required: 50-60 Rounds

Open Sights Only

Sunday, 28 July

AR-15 Shoot

Saturday, 10 August

Semi-Auto Shoot

Sunday, 22 September

Semi-Auto Shoot

Sunday, 20 October

Bolt-Action Shoot



THESE MATCHES ARE OPEN TO THE PUBLIC

For more information, contact Steve Sousa at 603-772-5422 or shooter1911@hotmail.com or go to <http://www.countrypondfishandgameclub.com/cmp.html>

2013 BOWLING PIN SHOOTS

Indoor CENTERFIRE

Registration: 18:30 - 18:55
Shooting starts at 19:00

All matches are on
THURSDAYS

27 JUN 11 JUL
8 AUG 22 AUG
12 SEP 26 SEP

Max Caliber: 44 Magnum

**.38 Special or weaker
calibers are not allowed
due to bullet bounce back**

\$7.00 per gun
All sights welcome

Indoor .22 RIMFIRE

Registration: 18:30 - 18:55
Shooting starts at 19:00

All matches are on
TUESDAYS

11 JUN 25 JUN
16 JUL 30 JUL
6 AUG 20 AUG
3 SEP 17 SEP
15 OCT 29 OCT
5 NOV 19 NOV
3 DEC 17 DEC

\$5.00 per gun
All sights welcome

OUTDOORS

Registration: 08:30
Shooting starts at 09:00

All matches are on
SATURDAYS

22 JUN 13 JUL
17 AUG 21 SEP
26 OCT 16 NOV

**.38 Special or weaker
calibers are not allowed
due to possible bullet
bounce back**

Centerfire: \$7.00 per gun
.22 Rimfire: \$5.00 per gun
All sights welcome



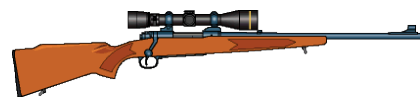
THESE SHOOTS ARE OPEN TO THE PUBLIC

Call or write Sharon Theobald - 978-374-8061 or shootinlady655@aol.com

Rifle League

Mondays, 18:00 - 20:00
May - September

Informal Competition using
any caliber and any sights



Country Pond Fish & Game Club's Travel Website

www.cpfgtravel.com

- Book flights, hotels, and cars
- Take a cruise or tour
- Order Red Sox and Patriots tickets
- Send flowers, gifts, or fruit
- Plan a hunting or fishing trip



Using cpfgtravel.com instead of Travelocity or Expedia is a great way to raise funds for the Club.

CPF&G Club Contacts

Revised: 23 April 2013

Hall and Indoor Range 603-382-0062
 Answering Machine..... 603-382-5681

Website.....www.countrypondfishandgameclub.com
 Webmaster - Piney Woods piney@pineywoodsplace.com

Executive Committee

John Carr (Pres) 603-659-2096 piney@pineywoodsplace.com
 Sharon Theobald (VP) 978-374-8061 shootinlady655@aol.com
 Steve Sousa (Sec) 603-772-5422 shooter1911@hotmail.com
 Andrew Deardorff (Treas) 603-382-3434 a-deardorff@comcast.net

Directors

Jim Rogers 603-244-9885 jimshortcircuit@yahoo.com
 Paul Gilberti 603-426-2025 pgis@comcast.net
 Chris Gordon 978-764-0195 cfgordon@comcast.net
 Jeff Gersbach 603-382-3312 jgersbach@gmail.com
 Ron MacLeod 603-382-6671 gandgcobra@aol.com

Range Officers

John DeYoung [Chief RO] 603-642-3246 johnmdeyoung@comcast.net
 John Carr 603-659-2096 piney@pineywoodsplace.com
 John Cull 603-329-5136 jhculljr@comcast.net
 Andrew Deardorff 603-382-3434 a-deardorff@comcast.net
 John Faro 603-382-1071 jfaro@comcast.net
 Mike Flynn 603-378-0098 richardflynn@comcast.net
 Jeff Gersbach 603-382-3312 jgersbach@gmail.com
 Paul Gilberti 603-426-2025 pgis@comcast.net
 Chris Gordon 978-764-0195 cfgordon@comcast.net
 Bob Lawliss 978-270-0702 boblawliss@hotmail.com
 Victor Maslov 603-244-2269 victm@earthlink.net
 Tom Moran 603-819-9349 tjmoran12@comcast.net
 Steve Sousa 603-772-5422 shooter1911@hotmail.com
 Scott Suchovsky 603-303-3665 tootal58@comcast.net
 Jeff Theobald 978-374-8061 bais@aol.com
 Sharon Theobald 978-374-8061 shootinlady655@aol.com
 Scott Thornbury 603-234-9256 menornbury@comcast.net

Archery League, 3D Archery, & GSB

Steve Chase 603-475-2594 browndogsoftware@aol.com
 Mike Cormier 978-771-0090 cormier.mike@verizon.net

Children's Christmas Party

Steve Paquette 603-490-5252 sasremodeling@yahoo.com

Chili Cookoff, Chowder Fest, & Pasta Dinners

Sharon Theobald 978-374-8061 shootinlady655@aol.com

Civilian Marksmanship Program

Steve Sousa 603-772-5422 shooter1911@hotmail.com

Cowboy Action Shooting

Piney Woods 603-659-2096 piney@pineywoodsplace.com
 Wild Bill Blackerby 603-895-9554 nhwildbill@comcast.net

CPF&G Travel

Wendy Menard 603-234-9256 wendy.menard@comcast.net

Facilities Manager

Ron MacLeod 603-382-6671 gandgcobra@aol.com

Firearms Orders (Club Members Only)

Jeff Gersbach (No phone orders - email only) jgersbach@gmail.com

Firearms Instruction & Training Programs

Paul Gilberti 603-426-2025 pgis@comcast.net

Fishermen's Swap & Shop

Dick Tuite 603-347-1373 marksman1953@yahoo.com

Game Dinner

Waiting for some one to step up and take over

Hall Rentals

Ron MacLeod 603-382-6671 gandgcobra@aol.com

Hunter & Bowhunter Education

Paul Gilberti 603-426-2025 pgis@comcast.net

Ice Fishing Derby

John DeYoung 603-642-3246 johnmdeyoung@comcast.net

Kitchen Manager

Sharon Theobald 978-374-8061 shootinlady655@aol.com

Land & Building Committee

John DeYoung 603-642-3246 johnmdeyoung@comcast.net
 Sharon Theobald 978-374-8061 shootinlady655@aol.com
 John Cull 603-329-5136 jhculljr@comcast.net
 Jim Rogers 603-244-9885 jimshortcircuit@yahoo.com

Membership Committee

Sharon Theobald 978-374-8061 shootinlady655@aol.com
 John Carr 603-659-2096 piney@pineywoodsplace.com
 Paul Gilberti 603-426-2025 pgis@comcast.net

Metals Recycling

Nanci Nickerson 603-382-0083 nnickerson@metrigraphicsllc.com

National Hunting & Fishing Day Open House

Sharon Theobald 978-374-8061 shootinlady655@aol.com

Newsletter Editor

Piney Woods 603-659-2096 piney@pineywoodsplace.com

NRA Recruiting Program

Sharon Theobald 978-374-8061 shootinlady655@aol.com

Pin Shoots

Sharon Theobald 978-374-8061 shootinlady655@aol.com
 Piney Woods 603-659-2096 piney@pineywoodsplace.com

Pistol Leagues

Steve Sousa 603-772-5422 shooter1911@hotmail.com
 John Faro 603-382-1071 jfaro@comcast.net

Rifle League

John DeYoung 603-642-3246 johnmdeyoung@comcast.net

Rockingham County Trap League

Robert Hunt 603-382-3661 rusticl@comcast.net

Trap

Ken Schultz 603-895-3083 papa.schulz@myfairpoint.net

Trap Tournaments - Winter Handicap & Summer Doubles

Ron Sevigny 603-474-1168 ron7e@comcast.net

Turkey Shoot

John DeYoung 603-642-3246 johnmdeyoung@comcast.net

22 Plate Shoots

John Coyne 603-362-6014 jem362@msn.com

Work Parties

John DeYoung 603-642-3246 johnmdeyoung@comcast.net

These names are listed here for a reason. Don't be afraid to call or email your questions or concerns to the appropriate party.